

**11:9 CAN CONTROLLER**

11 Inputs (Analog, Digital, Magnetic Pick Up, Universal Signal)  
4 Relay, 4 Analog, 1 Valve Driver Outputs  
2 CANopen

P/N: AX031201

**Features:**

- 12V or 24Vdc nominal input power with surge and transient protection
- Reverse polarity, overvoltage, undervoltage and short circuit protections
- Input and output isolation
  
- 4 Isolated Analog (0-5V, 0-10V, 4-20 mA or 0-20 mA) or Digital inputs
- 2 Isolated Digital Inputs
- 1 Magnetic Pick Up Input (0.5 Hz to 10 kHz, 100 mV to 100 Vrms)
- 4 Universal Inputs (0-1V, 0-2.5V, 0-5V, 0-10V Voltage; 4-20 mA, 0-20 mA Current; 30Ω to 250 kΩ Resistive; 0.5 Hz to 10 kHz Frequency; RPM; PWM; or Digital)
  
- 4 Isolated Analog Outputs (0-5V or 0-10V Voltage; or 4-20 mA, 0-20 mA Current)
- 4 Relay Outputs (5A@250VAC or 220VDC, NO)
- 1 Output (2A) to drive a proportional or ON/OFF hydraulic valve
  
- 2 CANopen® ports
- -40 to +85 °C operating temperature
- EMC compliant, CE marking
- 48 pin TE Deutsch housing and connectors
- IP67 rating
- .EDS provided to interface to standard CANopen® tools



**Applications:**

- power gen set engine control systems
- oil and gas equipment automation
- off-highway machine automation

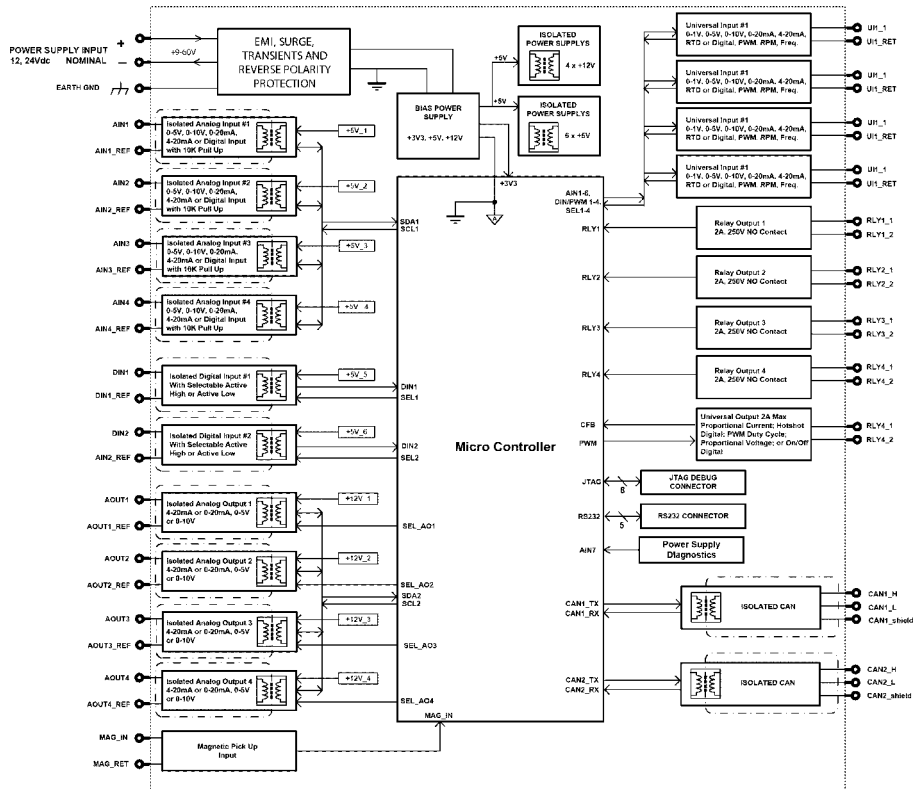
**Ordering Part Numbers:**

CAN Controller, CANopen®: **AX031201**

Mating Plug Kit: **AX070123**

# Technical Specifications:

## Block Diagram



The controller belongs to a family of Axiomatic smart controllers with configurable internal architecture. This provides users with flexibility, allowing them to build their own custom controller with a required functionality from a set of predefined internal functional blocks using the commercially available software tools. Application programming is performed through the CAN interface, without disconnecting the controller from the user's system.

## Inputs

|                    |  |
|--------------------|--|
| Power Supply Input | 12 Vdc or 24 Vdc nominal (9...60 Vdc power supply range)<br>Shutdown voltage is 7.5 Vdc.   |
| Protection         | Surge and transient protection<br>Reverse polarity protection<br>Overvoltage protection is up to 80 V.   |
| Inputs             | 11 Inputs, user selectable:<br>4 Isolated Analog Inputs<br>2 Isolated Digital Inputs<br>1 Magnetic Pick Up Input<br>4 Universal Inputs<br>Refer to Table 1.0.<br>Inputs and Power are isolated from the outputs and CAN. |
| Input Grounds      | Provided   |

| <b>Table 1.0 – Inputs – User Programmable Options</b> |   |
|---|---|
| <b>Analog Inputs</b>                                  | Four fully isolated inputs selectable as : Voltage, Current or Digital types<br>12-bit Analog to Digital (voltage, current)<br>Inputs are sampled every 1 msec.<br>Protected against shorts to GND or +Vcc  |
| Voltage Type  | 0-5 V (Impedance 200 KOhm)<br>0-10 V (Impedance 150 KOhm)<br>1mV resolution, accuracy +/- 1% error  |
| Current Type  | 0-20 mA (Impedance 125 Ohm)<br>4-20 mA (Impedance 125 Ohm)<br>6 uA resolution, accuracy +/- 1% error<br>Current sense resistor 124Ω   |
| Digital Type  | Active High or Active Low   |
| <b>Digital Input</b>                                  | Two fully isolated Active High or Active Low Inputs<br>Configurable 10kΩ pullup or pulldown resistor<br>Pullup at 5VDC, pulldown to reference.  |
| <b>Magnetic Pick Up Input</b>                         | One input<br>Range: 0.5 Hz to 10 kHz<br>100mV to 100V RMS   |
| <b>Universal Inputs</b>                               | Four fully independent inputs selectable as:<br>Voltage; Current; Resistive; Frequency; RPM; PWM; or Digital types<br>12-bit Analog to Digital (voltage, current, resistive)<br>15-bit Timer (frequency, RPM, PWM)<br>Protected against shorts to GND or +Vcc |
| Voltage Type  | 0-1V, 0-2.5V, 0--5V or 0-10V<br>1mV resolution, accuracy +/- 1% error   |
| Current Type  | 0-20mA or 4-20mA<br>1uA resolution, accuracy +/- 2% error<br>Current sense resistor 124Ω  |
| Resistive Type  | Self-calibrating for range of 30 Ω to 250 kΩ<br>1Ω resolution, accuracy +/- 1% error  |
| PWM Input   | 1MΩ Impedance<br>0 to 100%<br>100 Hz to 10 kHz<br>0.01% resolution, accuracy +/- 1% error   |
| Frequency/RPM Input                                   | 0.5 Hz to 50 Hz; 0.01 Hz resolution<br>10 Hz to 1 kHz; 0.1Hz resolution<br>100 Hz to 10 kHz; 1 Hz resolution<br>accuracy +/- 1% error   |
| Digital Input   | Active High or Active Low<br>with 22 kOhm pull-up or pull-down<br>Rated up to 42V   |

## Outputs

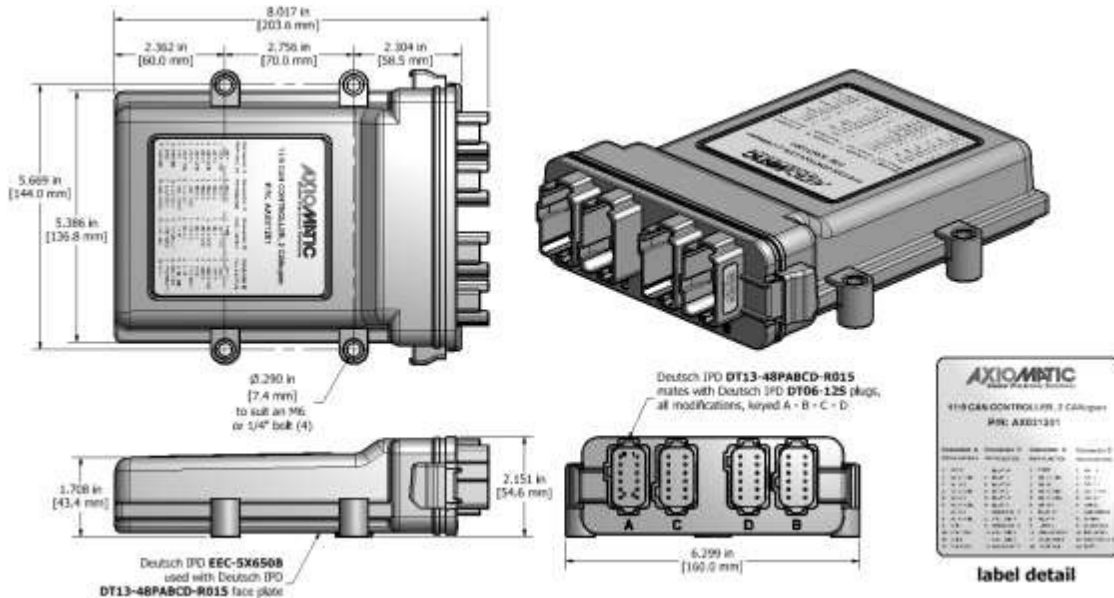
| Outputs                         | <p>4 Isolated Analog Outputs<br/>4 Relay Outputs<br/>1 Valve Driver Output</p> <p>The outputs are user selectable as follows. Refer to Table 2.0.</p> <table border="1" data-bbox="548 352 1334 1333"> <thead> <tr> <th colspan="2">Table 2.0: Outputs</th> </tr> </thead> <tbody> <tr> <td data-bbox="548 380 776 787">Analog Outputs:</td> <td data-bbox="776 380 1334 787"> <p>Four fully isolated analog outputs as: Voltage or Current<br/>12-bit Digital to Analog (voltage, current)<br/>Protected against shorts to GND or +Vcc</p> <p><u>Voltage Output:</u><br/>0-5 Vdc or 0-10 Vdc<br/>1mV resolution, accuracy +/- 1% error</p> <table border="1" data-bbox="813 577 1299 655"> <thead> <tr> <th>Output Range</th> <th>Maximum load</th> </tr> </thead> <tbody> <tr> <td>0-5V</td> <td>1kΩ</td> </tr> <tr> <td>0-10V</td> <td>10kΩ</td> </tr> </tbody> </table> <p><u>Current Output:</u><br/>0-20 mA or 4-20 mA<br/>Max. load resistance is &lt; 350 Ohms<br/>Compliance Voltage is 7 V.<br/>6.1 uA resolution, accuracy +/- 1% error</p> </td> </tr> <tr> <td data-bbox="548 787 776 840">Relay Outputs</td> <td data-bbox="776 787 1334 840"> <p>Four Relay Outputs<br/>Max. 5A, 250VAC or 220VDC, NO Contact</p> </td> </tr> <tr> <td data-bbox="548 840 776 1333">Valve Driver Output</td> <td data-bbox="776 840 1334 1333"> <p>One fully independent software controlled output selectable as:</p> <ul style="list-style-type: none"> <li>• Proportional Current;</li> <li>• Hotshot Digital;</li> <li>• PWM Duty Cycle;</li> <li>• Proportional Voltage;</li> <li>• or On/Off Digital</li> </ul> <p>Half-bridge output, current sensing, grounded load.<br/>High side sourcing up to 2A</p> <p>Current Outputs: 1mA resolution, accuracy +/- 2% error</p> <p>Voltage Outputs: 0.1V resolution, accuracy +/- 5% error<br/>Average output based on unit power supply<br/>High frequency drive at 25kHz</p> <p>PWM Outputs: 0.1% resolution, accuracy +/- 0.1% error</p> <p>Digital On/Off:<br/>Load at supply voltage must not draw more than 2A.</p> </td> </tr> </tbody> </table> | Table 2.0: Outputs |              | Analog Outputs: | <p>Four fully isolated analog outputs as: Voltage or Current<br/>12-bit Digital to Analog (voltage, current)<br/>Protected against shorts to GND or +Vcc</p> <p><u>Voltage Output:</u><br/>0-5 Vdc or 0-10 Vdc<br/>1mV resolution, accuracy +/- 1% error</p> <table border="1" data-bbox="813 577 1299 655"> <thead> <tr> <th>Output Range</th> <th>Maximum load</th> </tr> </thead> <tbody> <tr> <td>0-5V</td> <td>1kΩ</td> </tr> <tr> <td>0-10V</td> <td>10kΩ</td> </tr> </tbody> </table> <p><u>Current Output:</u><br/>0-20 mA or 4-20 mA<br/>Max. load resistance is &lt; 350 Ohms<br/>Compliance Voltage is 7 V.<br/>6.1 uA resolution, accuracy +/- 1% error</p> | Output Range | Maximum load | 0-5V | 1kΩ | 0-10V | 10kΩ | Relay Outputs | <p>Four Relay Outputs<br/>Max. 5A, 250VAC or 220VDC, NO Contact</p> | Valve Driver Output | <p>One fully independent software controlled output selectable as:</p> <ul style="list-style-type: none"> <li>• Proportional Current;</li> <li>• Hotshot Digital;</li> <li>• PWM Duty Cycle;</li> <li>• Proportional Voltage;</li> <li>• or On/Off Digital</li> </ul> <p>Half-bridge output, current sensing, grounded load.<br/>High side sourcing up to 2A</p> <p>Current Outputs: 1mA resolution, accuracy +/- 2% error</p> <p>Voltage Outputs: 0.1V resolution, accuracy +/- 5% error<br/>Average output based on unit power supply<br/>High frequency drive at 25kHz</p> <p>PWM Outputs: 0.1% resolution, accuracy +/- 0.1% error</p> <p>Digital On/Off:<br/>Load at supply voltage must not draw more than 2A.</p> |
|---------------------------------|---|--------------------|--------------|-----------------|---|--------------|--------------|------|-----|-------|------|---------------|---|---------------------|--|
| Table 2.0: Outputs              |   |                    |              |                 |   |              |              |      |     |       |      |               |   |                     |  |
| Analog Outputs:                 | <p>Four fully isolated analog outputs as: Voltage or Current<br/>12-bit Digital to Analog (voltage, current)<br/>Protected against shorts to GND or +Vcc</p> <p><u>Voltage Output:</u><br/>0-5 Vdc or 0-10 Vdc<br/>1mV resolution, accuracy +/- 1% error</p> <table border="1" data-bbox="813 577 1299 655"> <thead> <tr> <th>Output Range</th> <th>Maximum load</th> </tr> </thead> <tbody> <tr> <td>0-5V</td> <td>1kΩ</td> </tr> <tr> <td>0-10V</td> <td>10kΩ</td> </tr> </tbody> </table> <p><u>Current Output:</u><br/>0-20 mA or 4-20 mA<br/>Max. load resistance is &lt; 350 Ohms<br/>Compliance Voltage is 7 V.<br/>6.1 uA resolution, accuracy +/- 1% error</p>   | Output Range       | Maximum load | 0-5V            | 1kΩ   | 0-10V        | 10kΩ         |      |     |       |      |               |   |                     |  |
| Output Range                    | Maximum load  |                    |              |                 |   |              |              |      |     |       |      |               |   |                     |  |
| 0-5V                            | 1kΩ   |                    |              |                 |   |              |              |      |     |       |      |               |   |                     |  |
| 0-10V                           | 10kΩ  |                    |              |                 |   |              |              |      |     |       |      |               |   |                     |  |
| Relay Outputs                   | <p>Four Relay Outputs<br/>Max. 5A, 250VAC or 220VDC, NO Contact</p>   |                    |              |                 |   |              |              |      |     |       |      |               |   |                     |  |
| Valve Driver Output             | <p>One fully independent software controlled output selectable as:</p> <ul style="list-style-type: none"> <li>• Proportional Current;</li> <li>• Hotshot Digital;</li> <li>• PWM Duty Cycle;</li> <li>• Proportional Voltage;</li> <li>• or On/Off Digital</li> </ul> <p>Half-bridge output, current sensing, grounded load.<br/>High side sourcing up to 2A</p> <p>Current Outputs: 1mA resolution, accuracy +/- 2% error</p> <p>Voltage Outputs: 0.1V resolution, accuracy +/- 5% error<br/>Average output based on unit power supply<br/>High frequency drive at 25kHz</p> <p>PWM Outputs: 0.1% resolution, accuracy +/- 0.1% error</p> <p>Digital On/Off:<br/>Load at supply voltage must not draw more than 2A.</p>  |                    |              |                 |   |              |              |      |     |       |      |               |   |                     |  |
| Isolation                       | <p>300 Vrms<br/>The outputs are isolated from the inputs.<br/>The CAN bus port is isolated from both inputs and outputs.</p>  |                    |              |                 |   |              |              |      |     |       |      |               |   |                     |  |
| Protection for Output Terminals | <p>Fully protected against short circuit to output ground and +Vcc.<br/>Unit will fail safe in the case of a short circuit condition, self-recovering when the short is removed.</p>  |                    |              |                 |   |              |              |      |     |       |      |               |   |                     |  |

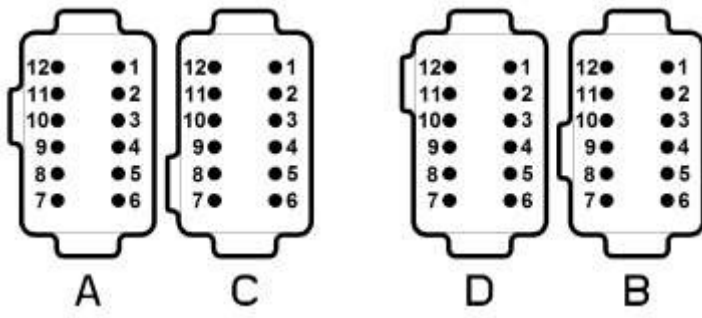
## General Specifications

|                           |   |
|---------------------------|---|
| Microprocessor            | <p>STM32<br/>32-bit, 512 kByte flash memory</p>   |
| Typical Quiescent Current | <p>97 mA @ 24Vdc</p>  |
| Compliance                | <p>CE marking</p>   |
| Vibration Compliance      | <p>Random Vibration: 7.68 Grms peak<br/>Sinusoidal Component: 10 g peak<br/>Based on MIL-STD-202G, Methods 204G, 214A and 213B</p>  |
| Control Logic             | <p>Standard embedded software is provided.<br/><i>(Application-specific control logic or factory programmed set point file on request)</i></p>  |
| Communications            | <p>2 Isolated CANopen® ports</p>  |
| Network Termination       | <p>It is necessary to terminate the network with external termination resistors. The resistors are 120 Ohm, 0.25W minimum, metal film or similar type. They should be placed between CAN_H and CAN_L terminals at both ends of the network.</p> |

|                      |  |
|----------------------|--|
| User Interface       | .EDS provided to interface to standard CANopen® tools  |
| Operating Conditions | -40 to 85 °C (-40 to 185 °F)   |
| Storage Temperature  | -55 to 125 °C (-67 to 257°F)   |
| Protection           | IP67   |
| Weight               | 1.35 lbs. (0.612 kg)   |
| Packaging            | High Temperature Nylon housing, TE Deutsch P/N: EEC-5X650B<br>5.67 x 7.92 x 2.15 inches (144.0 x 201.3 x 54.6 mm)<br>L x W x H including integral connector Refer to the dimensional drawing.  |
| Installation         | For mounting information, refer to the dimensional drawing.<br><br>Mounting holes sized for ¼ inch or M6 bolts. The bolt length will be determined by the end-user's mounting plate thickness. The mounting flange of the controller is 0.25 inches (6.35 mm) thick. If the module is mounted without an enclosure, it should be mounted to reduce the likelihood of moisture entry. Install the unit with appropriate space available for servicing and for adequate wire harness access (6 inches or 15 cm) and strain relief (12 inches or 30 cm). Wires should be of the appropriate gauge to meet requirements of applicable electrical codes and suit the specifications of the connector.<br><br>The module must be mounted in an enclosure in hazardous locations. All field wiring should be suitable for the operating temperature range of the module. All chassis grounding should go to a single ground point designated for the machine and all related equipment. |

### Dimensional Drawing



| Electrical Connections | <p>48 pin TE Deutsch connector P/N: DT13-48PABCD-R015</p>  <p>Table 3 - Electrical Pin Out</p> <table border="1"> <thead> <tr> <th colspan="2">Connector A</th> <th colspan="2">Connector C</th> <th colspan="2">Connector D</th> <th colspan="2">Connector B</th> </tr> <tr> <th>Pin #</th> <th>Function</th> <th>Pin #</th> <th>Function</th> <th>Pin #</th> <th>Function</th> <th>Pin #</th> <th>Function</th> </tr> </thead> <tbody> <tr> <td>1</td> <td>A/D IN 1</td> <td>1</td> <td>RELAY 1 +</td> <td>1</td> <td>P OUT</td> <td>1</td> <td>BATT +</td> </tr> <tr> <td>2</td> <td>A/D IN 1<br/>GND</td> <td>2</td> <td>RELAY 1 -</td> <td>2</td> <td>UNI IN 1 RTN</td> <td>2</td> <td>CAN 1 L</td> </tr> <tr> <td>3</td> <td>A/D IN 2</td> <td>3</td> <td>RELAY 2 +</td> <td>3</td> <td>UNI IN 1</td> <td>3</td> <td>CAN 1 H</td> </tr> <tr> <td>4</td> <td>A/D IN 2<br/>GND</td> <td>4</td> <td>RELAY 2 -</td> <td>4</td> <td>UNI IN 2 RTN</td> <td>4</td> <td>CAN 1 SH</td> </tr> <tr> <td>5</td> <td>A/D IN 3</td> <td>5</td> <td>RELAY 3 +</td> <td>5</td> <td>UNI IN 3 RTN</td> <td>5</td> <td>CAN 2 H</td> </tr> <tr> <td>6</td> <td>A/D IN 3<br/>GND</td> <td>6</td> <td>RELAY 3 -</td> <td>6</td> <td>UNI IN 3</td> <td>6</td> <td>CAN 2 L</td> </tr> <tr> <td>7</td> <td>A/D IN 4</td> <td>7</td> <td>A OUT 1</td> <td>7</td> <td>RELAY 4 +</td> <td>7</td> <td>CAN 2 SH</td> </tr> <tr> <td>8</td> <td>A/D IN 4<br/>GND</td> <td>8</td> <td>A OUT GND 1</td> <td>8</td> <td>RELAY 4 -</td> <td>8</td> <td>UNI IN 4</td> </tr> <tr> <td>9</td> <td>D IN 1</td> <td>9</td> <td>A OUT 2</td> <td>9</td> <td>UNI IN 2</td> <td>9</td> <td>UNI IN 4<br/>RTN</td> </tr> <tr> <td>10</td> <td>D IN 1<br/>GND</td> <td>10</td> <td>A OUT GND 2</td> <td>10</td> <td>A OUT 4</td> <td>10</td> <td>MAG IN<br/>GND</td> </tr> <tr> <td>11</td> <td>D IN 2</td> <td>11</td> <td>A OUT GND 3</td> <td>11</td> <td>A OUT GND 4</td> <td>11</td> <td>MAG PICK-<br/>UP IN</td> </tr> <tr> <td>12</td> <td>D IN 2<br/>GND</td> <td>12</td> <td>A OUT 3</td> <td>12</td> <td>P OUT GND</td> <td>12</td> <td>BATT -</td> </tr> </tbody> </table> | Connector A |             | Connector C |              | Connector D |                    | Connector B |  | Pin # | Function | Pin # | Function | Pin # | Function | Pin # | Function | 1 | A/D IN 1 | 1 | RELAY 1 + | 1 | P OUT | 1 | BATT + | 2 | A/D IN 1<br>GND | 2 | RELAY 1 - | 2 | UNI IN 1 RTN | 2 | CAN 1 L | 3 | A/D IN 2 | 3 | RELAY 2 + | 3 | UNI IN 1 | 3 | CAN 1 H | 4 | A/D IN 2<br>GND | 4 | RELAY 2 - | 4 | UNI IN 2 RTN | 4 | CAN 1 SH | 5 | A/D IN 3 | 5 | RELAY 3 + | 5 | UNI IN 3 RTN | 5 | CAN 2 H | 6 | A/D IN 3<br>GND | 6 | RELAY 3 - | 6 | UNI IN 3 | 6 | CAN 2 L | 7 | A/D IN 4 | 7 | A OUT 1 | 7 | RELAY 4 + | 7 | CAN 2 SH | 8 | A/D IN 4<br>GND | 8 | A OUT GND 1 | 8 | RELAY 4 - | 8 | UNI IN 4 | 9 | D IN 1 | 9 | A OUT 2 | 9 | UNI IN 2 | 9 | UNI IN 4<br>RTN | 10 | D IN 1<br>GND | 10 | A OUT GND 2 | 10 | A OUT 4 | 10 | MAG IN<br>GND | 11 | D IN 2 | 11 | A OUT GND 3 | 11 | A OUT GND 4 | 11 | MAG PICK-<br>UP IN | 12 | D IN 2<br>GND | 12 | A OUT 3 | 12 | P OUT GND | 12 | BATT - |
|------------------------|---|-------------|-------------|-------------|--------------|-------------|--------------------|-------------|--|-------|----------|-------|----------|-------|----------|-------|----------|---|----------|---|-----------|---|-------|---|--------|---|-----------------|---|-----------|---|--------------|---|---------|---|----------|---|-----------|---|----------|---|---------|---|-----------------|---|-----------|---|--------------|---|----------|---|----------|---|-----------|---|--------------|---|---------|---|-----------------|---|-----------|---|----------|---|---------|---|----------|---|---------|---|-----------|---|----------|---|-----------------|---|-------------|---|-----------|---|----------|---|--------|---|---------|---|----------|---|-----------------|----|---------------|----|-------------|----|---------|----|---------------|----|--------|----|-------------|----|-------------|----|--------------------|----|---------------|----|---------|----|-----------|----|--------|
| Connector A            |   | Connector C |             | Connector D |              | Connector B |                    |             |  |       |          |       |          |       |          |       |          |   |          |   |           |   |       |   |        |   |                 |   |           |   |              |   |         |   |          |   |           |   |          |   |         |   |                 |   |           |   |              |   |          |   |          |   |           |   |              |   |         |   |                 |   |           |   |          |   |         |   |          |   |         |   |           |   |          |   |                 |   |             |   |           |   |          |   |        |   |         |   |          |   |                 |    |               |    |             |    |         |    |               |    |        |    |             |    |             |    |                    |    |               |    |         |    |           |    |        |
| Pin #                  | Function  | Pin #       | Function    | Pin #       | Function     | Pin #       | Function           |             |  |       |          |       |          |       |          |       |          |   |          |   |           |   |       |   |        |   |                 |   |           |   |              |   |         |   |          |   |           |   |          |   |         |   |                 |   |           |   |              |   |          |   |          |   |           |   |              |   |         |   |                 |   |           |   |          |   |         |   |          |   |         |   |           |   |          |   |                 |   |             |   |           |   |          |   |        |   |         |   |          |   |                 |    |               |    |             |    |         |    |               |    |        |    |             |    |             |    |                    |    |               |    |         |    |           |    |        |
| 1                      | A/D IN 1  | 1           | RELAY 1 +   | 1           | P OUT        | 1           | BATT +             |             |  |       |          |       |          |       |          |       |          |   |          |   |           |   |       |   |        |   |                 |   |           |   |              |   |         |   |          |   |           |   |          |   |         |   |                 |   |           |   |              |   |          |   |          |   |           |   |              |   |         |   |                 |   |           |   |          |   |         |   |          |   |         |   |           |   |          |   |                 |   |             |   |           |   |          |   |        |   |         |   |          |   |                 |    |               |    |             |    |         |    |               |    |        |    |             |    |             |    |                    |    |               |    |         |    |           |    |        |
| 2                      | A/D IN 1<br>GND   | 2           | RELAY 1 -   | 2           | UNI IN 1 RTN | 2           | CAN 1 L            |             |  |       |          |       |          |       |          |       |          |   |          |   |           |   |       |   |        |   |                 |   |           |   |              |   |         |   |          |   |           |   |          |   |         |   |                 |   |           |   |              |   |          |   |          |   |           |   |              |   |         |   |                 |   |           |   |          |   |         |   |          |   |         |   |           |   |          |   |                 |   |             |   |           |   |          |   |        |   |         |   |          |   |                 |    |               |    |             |    |         |    |               |    |        |    |             |    |             |    |                    |    |               |    |         |    |           |    |        |
| 3                      | A/D IN 2  | 3           | RELAY 2 +   | 3           | UNI IN 1     | 3           | CAN 1 H            |             |  |       |          |       |          |       |          |       |          |   |          |   |           |   |       |   |        |   |                 |   |           |   |              |   |         |   |          |   |           |   |          |   |         |   |                 |   |           |   |              |   |          |   |          |   |           |   |              |   |         |   |                 |   |           |   |          |   |         |   |          |   |         |   |           |   |          |   |                 |   |             |   |           |   |          |   |        |   |         |   |          |   |                 |    |               |    |             |    |         |    |               |    |        |    |             |    |             |    |                    |    |               |    |         |    |           |    |        |
| 4                      | A/D IN 2<br>GND   | 4           | RELAY 2 -   | 4           | UNI IN 2 RTN | 4           | CAN 1 SH           |             |  |       |          |       |          |       |          |       |          |   |          |   |           |   |       |   |        |   |                 |   |           |   |              |   |         |   |          |   |           |   |          |   |         |   |                 |   |           |   |              |   |          |   |          |   |           |   |              |   |         |   |                 |   |           |   |          |   |         |   |          |   |         |   |           |   |          |   |                 |   |             |   |           |   |          |   |        |   |         |   |          |   |                 |    |               |    |             |    |         |    |               |    |        |    |             |    |             |    |                    |    |               |    |         |    |           |    |        |
| 5                      | A/D IN 3  | 5           | RELAY 3 +   | 5           | UNI IN 3 RTN | 5           | CAN 2 H            |             |  |       |          |       |          |       |          |       |          |   |          |   |           |   |       |   |        |   |                 |   |           |   |              |   |         |   |          |   |           |   |          |   |         |   |                 |   |           |   |              |   |          |   |          |   |           |   |              |   |         |   |                 |   |           |   |          |   |         |   |          |   |         |   |           |   |          |   |                 |   |             |   |           |   |          |   |        |   |         |   |          |   |                 |    |               |    |             |    |         |    |               |    |        |    |             |    |             |    |                    |    |               |    |         |    |           |    |        |
| 6                      | A/D IN 3<br>GND   | 6           | RELAY 3 -   | 6           | UNI IN 3     | 6           | CAN 2 L            |             |  |       |          |       |          |       |          |       |          |   |          |   |           |   |       |   |        |   |                 |   |           |   |              |   |         |   |          |   |           |   |          |   |         |   |                 |   |           |   |              |   |          |   |          |   |           |   |              |   |         |   |                 |   |           |   |          |   |         |   |          |   |         |   |           |   |          |   |                 |   |             |   |           |   |          |   |        |   |         |   |          |   |                 |    |               |    |             |    |         |    |               |    |        |    |             |    |             |    |                    |    |               |    |         |    |           |    |        |
| 7                      | A/D IN 4  | 7           | A OUT 1     | 7           | RELAY 4 +    | 7           | CAN 2 SH           |             |  |       |          |       |          |       |          |       |          |   |          |   |           |   |       |   |        |   |                 |   |           |   |              |   |         |   |          |   |           |   |          |   |         |   |                 |   |           |   |              |   |          |   |          |   |           |   |              |   |         |   |                 |   |           |   |          |   |         |   |          |   |         |   |           |   |          |   |                 |   |             |   |           |   |          |   |        |   |         |   |          |   |                 |    |               |    |             |    |         |    |               |    |        |    |             |    |             |    |                    |    |               |    |         |    |           |    |        |
| 8                      | A/D IN 4<br>GND   | 8           | A OUT GND 1 | 8           | RELAY 4 -    | 8           | UNI IN 4           |             |  |       |          |       |          |       |          |       |          |   |          |   |           |   |       |   |        |   |                 |   |           |   |              |   |         |   |          |   |           |   |          |   |         |   |                 |   |           |   |              |   |          |   |          |   |           |   |              |   |         |   |                 |   |           |   |          |   |         |   |          |   |         |   |           |   |          |   |                 |   |             |   |           |   |          |   |        |   |         |   |          |   |                 |    |               |    |             |    |         |    |               |    |        |    |             |    |             |    |                    |    |               |    |         |    |           |    |        |
| 9                      | D IN 1  | 9           | A OUT 2     | 9           | UNI IN 2     | 9           | UNI IN 4<br>RTN    |             |  |       |          |       |          |       |          |       |          |   |          |   |           |   |       |   |        |   |                 |   |           |   |              |   |         |   |          |   |           |   |          |   |         |   |                 |   |           |   |              |   |          |   |          |   |           |   |              |   |         |   |                 |   |           |   |          |   |         |   |          |   |         |   |           |   |          |   |                 |   |             |   |           |   |          |   |        |   |         |   |          |   |                 |    |               |    |             |    |         |    |               |    |        |    |             |    |             |    |                    |    |               |    |         |    |           |    |        |
| 10                     | D IN 1<br>GND   | 10          | A OUT GND 2 | 10          | A OUT 4      | 10          | MAG IN<br>GND      |             |  |       |          |       |          |       |          |       |          |   |          |   |           |   |       |   |        |   |                 |   |           |   |              |   |         |   |          |   |           |   |          |   |         |   |                 |   |           |   |              |   |          |   |          |   |           |   |              |   |         |   |                 |   |           |   |          |   |         |   |          |   |         |   |           |   |          |   |                 |   |             |   |           |   |          |   |        |   |         |   |          |   |                 |    |               |    |             |    |         |    |               |    |        |    |             |    |             |    |                    |    |               |    |         |    |           |    |        |
| 11                     | D IN 2  | 11          | A OUT GND 3 | 11          | A OUT GND 4  | 11          | MAG PICK-<br>UP IN |             |  |       |          |       |          |       |          |       |          |   |          |   |           |   |       |   |        |   |                 |   |           |   |              |   |         |   |          |   |           |   |          |   |         |   |                 |   |           |   |              |   |          |   |          |   |           |   |              |   |         |   |                 |   |           |   |          |   |         |   |          |   |         |   |           |   |          |   |                 |   |             |   |           |   |          |   |        |   |         |   |          |   |                 |    |               |    |             |    |         |    |               |    |        |    |             |    |             |    |                    |    |               |    |         |    |           |    |        |
| 12                     | D IN 2<br>GND   | 12          | A OUT 3     | 12          | P OUT GND    | 12          | BATT -             |             |  |       |          |       |          |       |          |       |          |   |          |   |           |   |       |   |        |   |                 |   |           |   |              |   |         |   |          |   |           |   |          |   |         |   |                 |   |           |   |              |   |          |   |          |   |           |   |              |   |         |   |                 |   |           |   |          |   |         |   |          |   |         |   |           |   |          |   |                 |   |             |   |           |   |          |   |        |   |         |   |          |   |                 |    |               |    |             |    |         |    |               |    |        |    |             |    |             |    |                    |    |               |    |         |    |           |    |        |
| Mating Plugs           | <p>Mates with the following TE Deutsch P/N's.<br/> DT06-12SA Plug, DT 12 Way A Key<br/> DT06-12SB Plug, DT 12 Way B Key<br/> DT06-12SC Plug, DT 12 Way C Key<br/> DT06-12SD Plug, DT 12 Way D Key<br/> A set of these mating plugs is available, ordering P/N: AX070123.</p>  |             |             |             |              |             |                    |             |  |       |          |       |          |       |          |       |          |   |          |   |           |   |       |   |        |   |                 |   |           |   |              |   |         |   |          |   |           |   |          |   |         |   |                 |   |           |   |              |   |          |   |          |   |           |   |              |   |         |   |                 |   |           |   |          |   |         |   |          |   |         |   |           |   |          |   |                 |   |             |   |           |   |          |   |        |   |         |   |          |   |                 |    |               |    |             |    |         |    |               |    |        |    |             |    |             |    |                    |    |               |    |         |    |           |    |        |

Notes:

CANopen® is a registered community trademark of CAN in Automation e.V.

Specifications are indicative and subject to change. Actual performance will vary depending on the application and operating conditions. Users should satisfy themselves that the product is suitable for use in the intended application. All our products carry a limited warranty against defects in material and workmanship. Please refer to our Warranty, Application Approvals/Limitations and Return Materials Process as described on <https://www.axiomatic.com/service/>.

Form: TDAX031201-07/27/22